

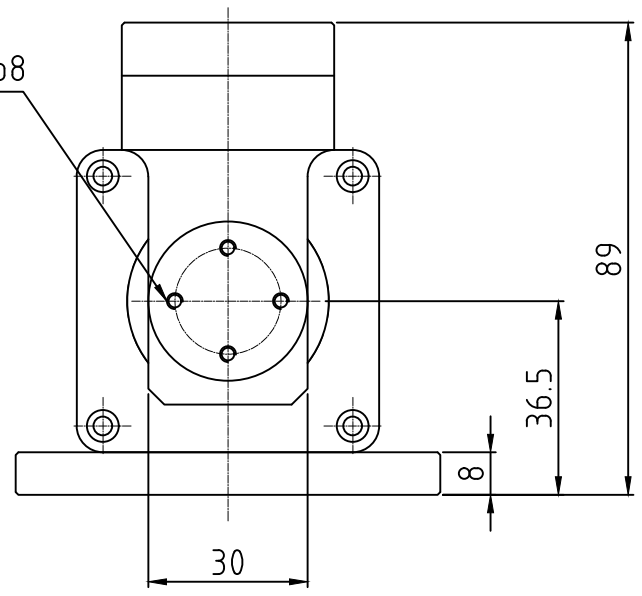
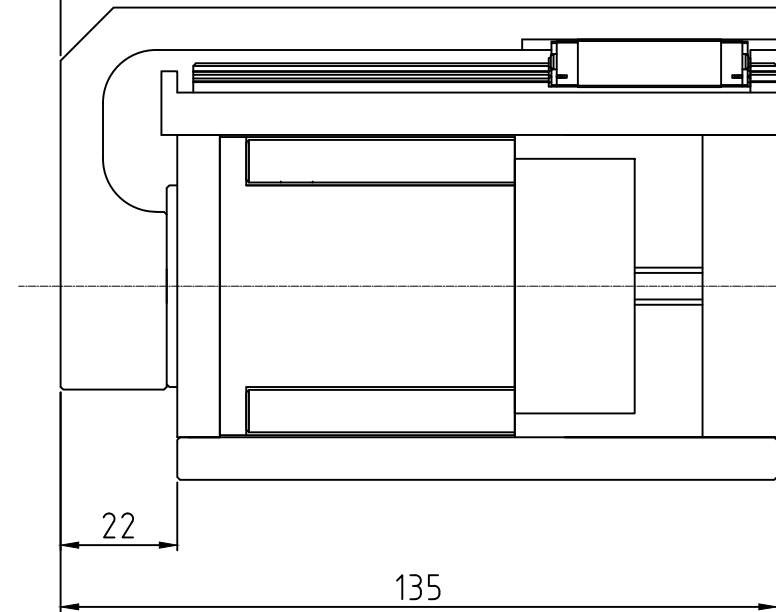
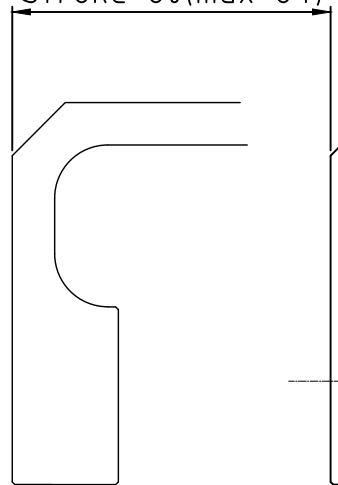
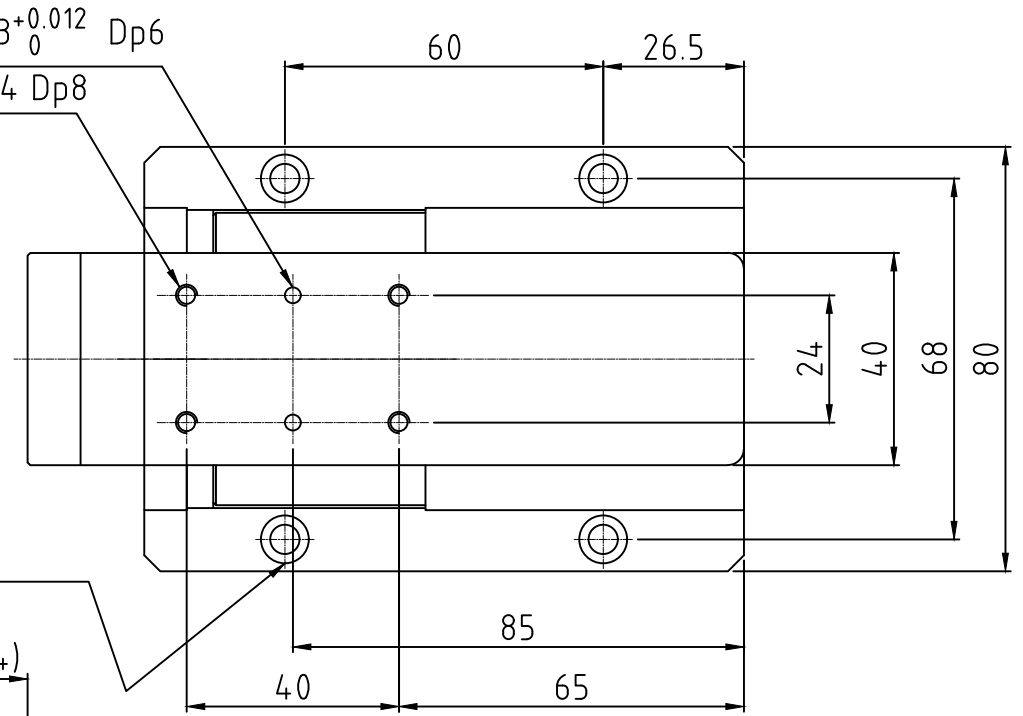
2- $\phi 3^{+0.012}_0$ Dp6

4-M4 Dp8

4- $\phi 5.5$ Thru
C'B $\phi 9$ Dp5.5

Stroke=60(max=64)

4-M3 Dp8
PCD20



Linear Actuator		TITLE		3RD		SCALE	
NO	DESCRIPTION	ELA SERIES		3		1/1	
ERAETECH www.erae-tech.com		SUB		56(Encoder Attachment)			