

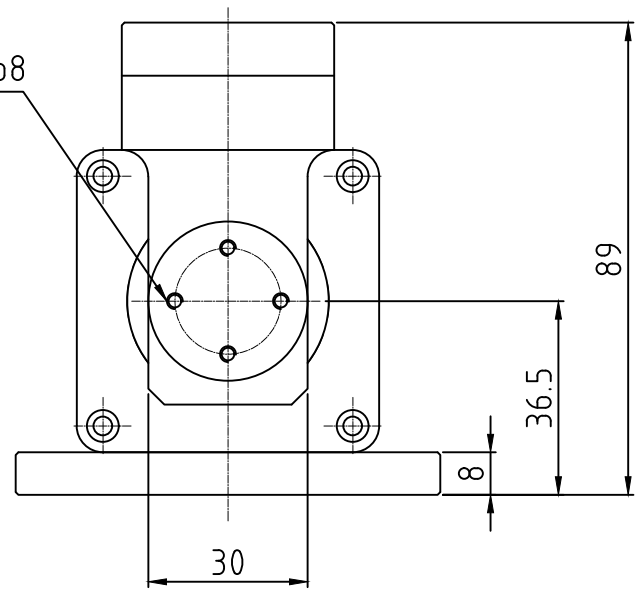
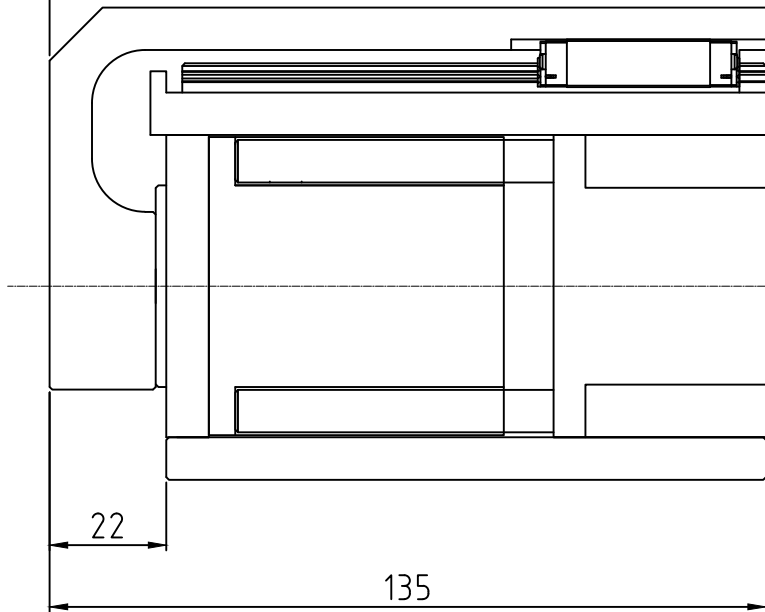
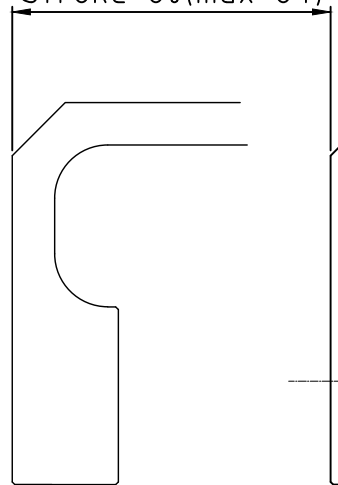
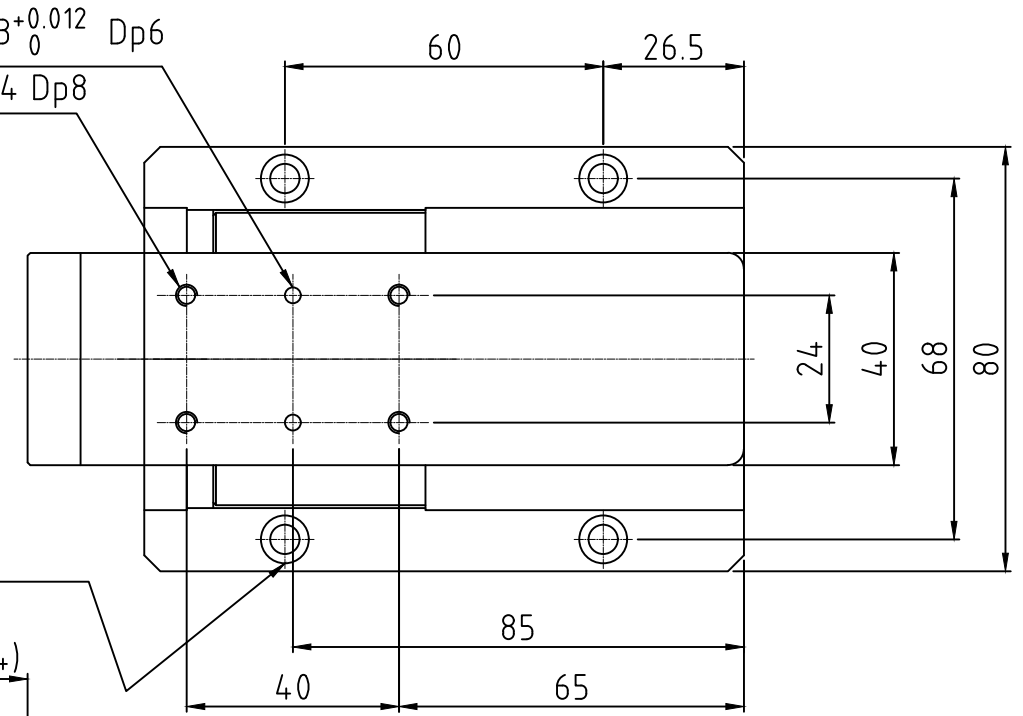
2- $\phi 3^{+0.012}_0$  Dp6

4-M4 Dp8

4- $\phi 5.5$  Thru  
C'B $\phi 9$  Dp5.5

Stroke=60(max=64)

4-M3 Dp8  
PCD20



|                               |             |                |  |       |     |
|-------------------------------|-------------|----------------|--|-------|-----|
| Linear Actuator               |             | TITLE          |  | SCALE |     |
| NO                            | DESCRIPTION | ELA SERIES     |  | 3RD   | 1   |
| ERAETECH<br>www.erae-tech.com |             | SUB            |  | 3     | 1/1 |
|                               |             | 56(No Encoder) |  |       |     |